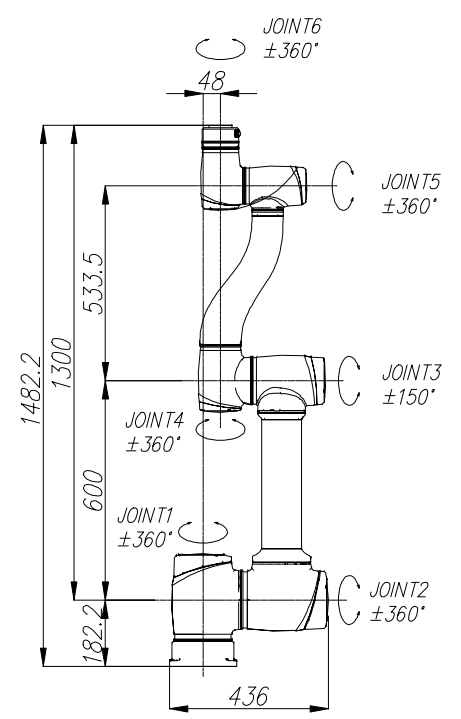
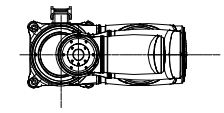


ITEM NO.	
A	

Symphony15 Layout

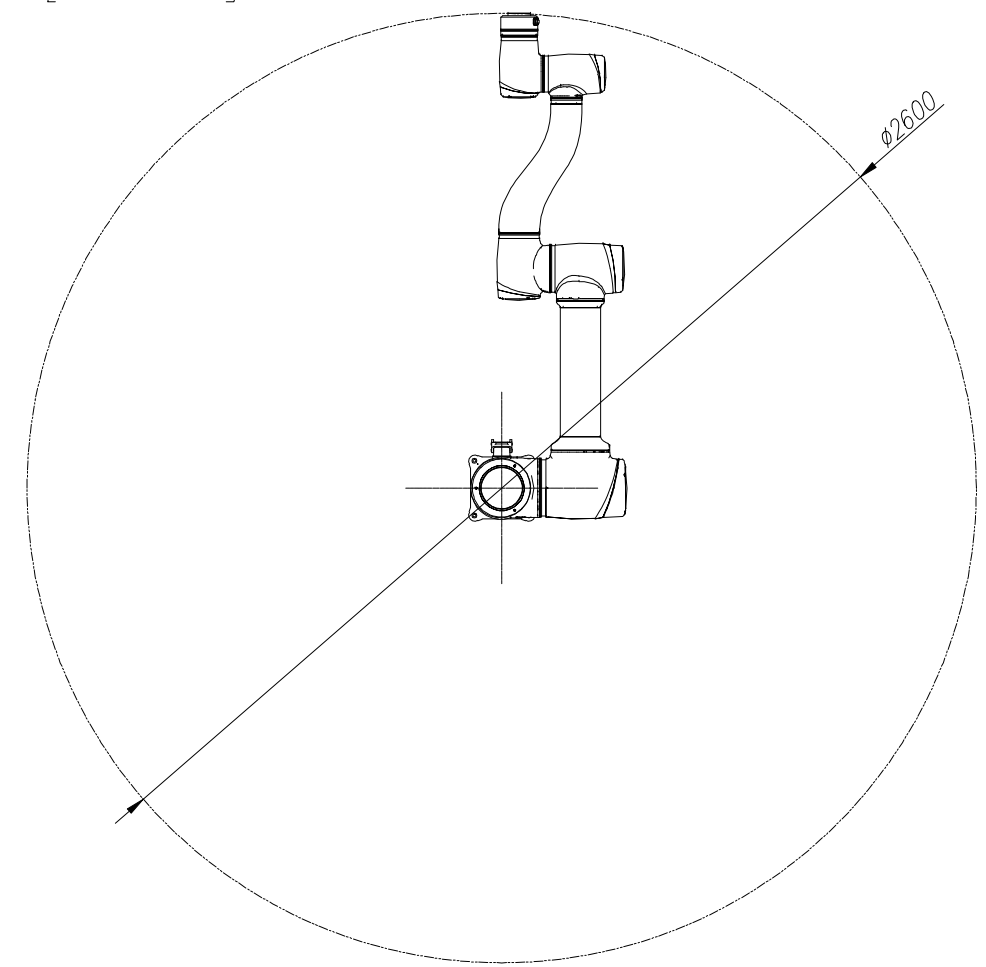
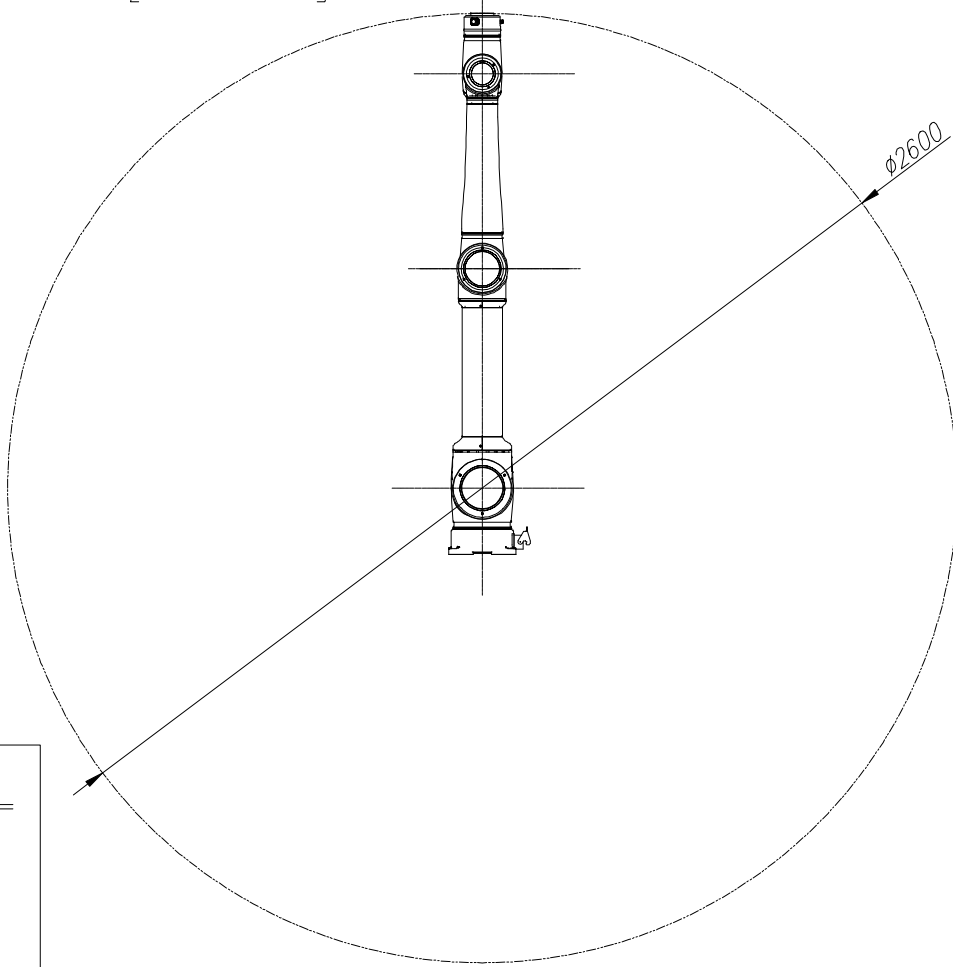
Symphony15 Working Area [Side View]

Symphony15 Working Area [Top View]

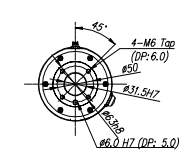


[SIDE VIEW]

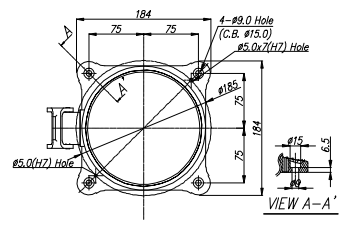
[TOP VIEW]



Tool Flange Dimension



Installation Dimension



C
H
A
N
G
E

GRADE	DIM	DIMENSIONAL TOLERANCE						
		4 ±	5 12	13 36	37 110	111 330	331 1000	1000 ±
1	0.10	0.15	0.20	0.30	0.45	0.70	1.0	
2	0.15	0.20	0.30	0.45	0.70	1.0	1.5	
3	0.20	0.30	0.45	0.70	1.0	1.5	2.0	
4	0.30	0.45	0.70	1.0	1.5	2.0	3.0	
5	0.45	0.70	1.0	1.5	2.0	3.0	4.0	
ANGULAR								0

UNLESS OTHERWISE SPECIFIED

QUANTITY	NO.	PART NO.	DESCRIPTION	MATERIAL	COLOR/FINISH	REMARK
			DRAWN BY: '23.05.31			DESCRIPTION: <i>Layout Symphony15</i>
			CHECKED BY:			DRAWING NO. (PAGE: /)
			APPROVED BY:			MODEL: <i>Symphony15</i> FILE
				ISSUE	REF.	

