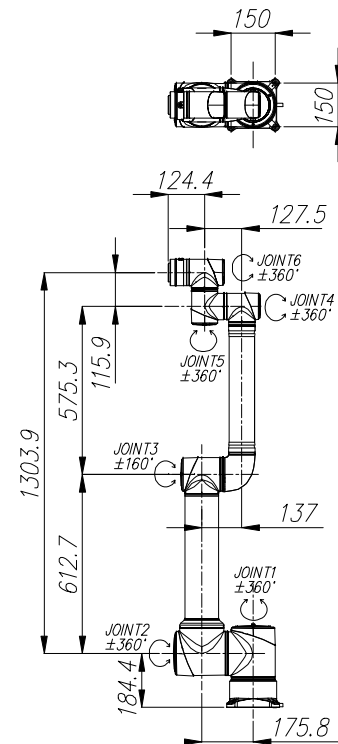
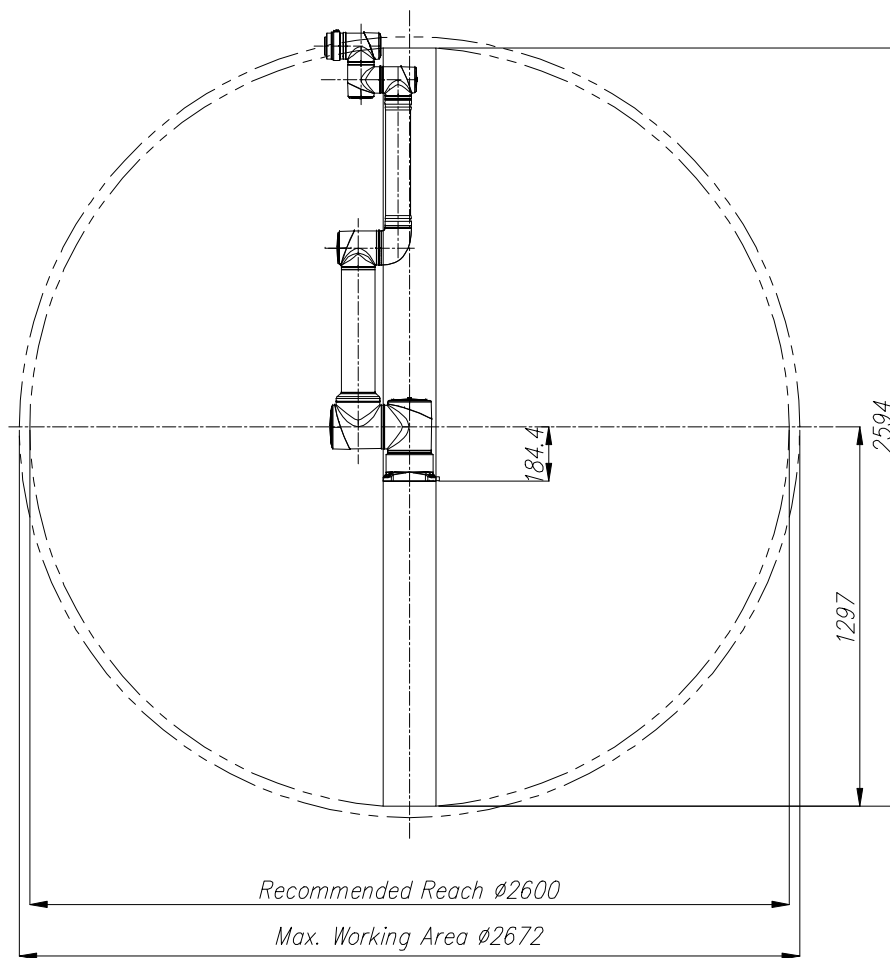


ITEM NO.	
A	

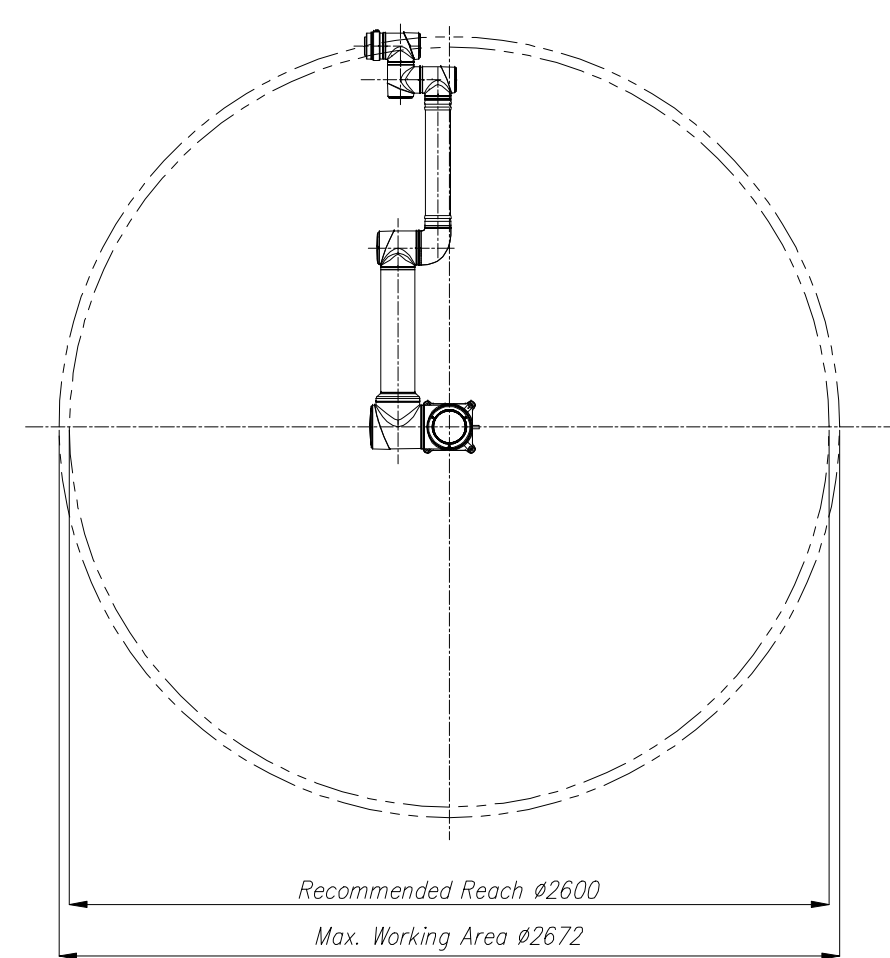
Symphony10 Layout



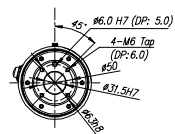
Symphony10 Working Area [Side View]



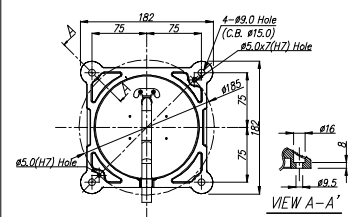
Symphony10 Working Area [Top View]



Tool Flange Dimension



Installation Dimension



C
H
A
N
G
E

GRADE	DIMENSIONAL TOLERANCE								
	4 ±	5 /12	13 /36	37 /110	111 /330	331 /1000	1000 ±		
1	0.10	0.15	0.20	0.30	0.45	0.70	1.0		
2	0.15	0.20	0.30	0.45	0.70	1.0	1.5		
3	0.20	0.30	0.45	0.70	1.0	1.5	2.0		
4	0.30	0.45	0.70	1.0	1.5	2.0	3.0		
5	0.45	0.70	1.0	1.5	2.0	3.0	4.0		
ANGULAR								0	

UNLESS OTHERWISE SPECIFIED

QUANTITY	NO.	PART NO.	DESCRIPTION	MATERIAL	COLOR/FINISH	REMARK
			SCALE	UNIT	DRAWN BY: '23.05.31	
			N/S	mm	DESCRIPTION	
					Layout Symphony10	
					DRAWING NO. (PAGE: /)	
					MODEL	
					Symphony10	
					FILE	
					REF.	
					ISSUE	

