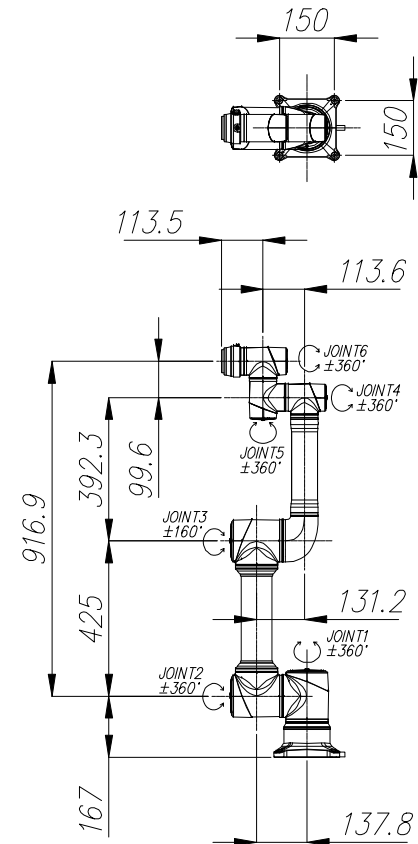
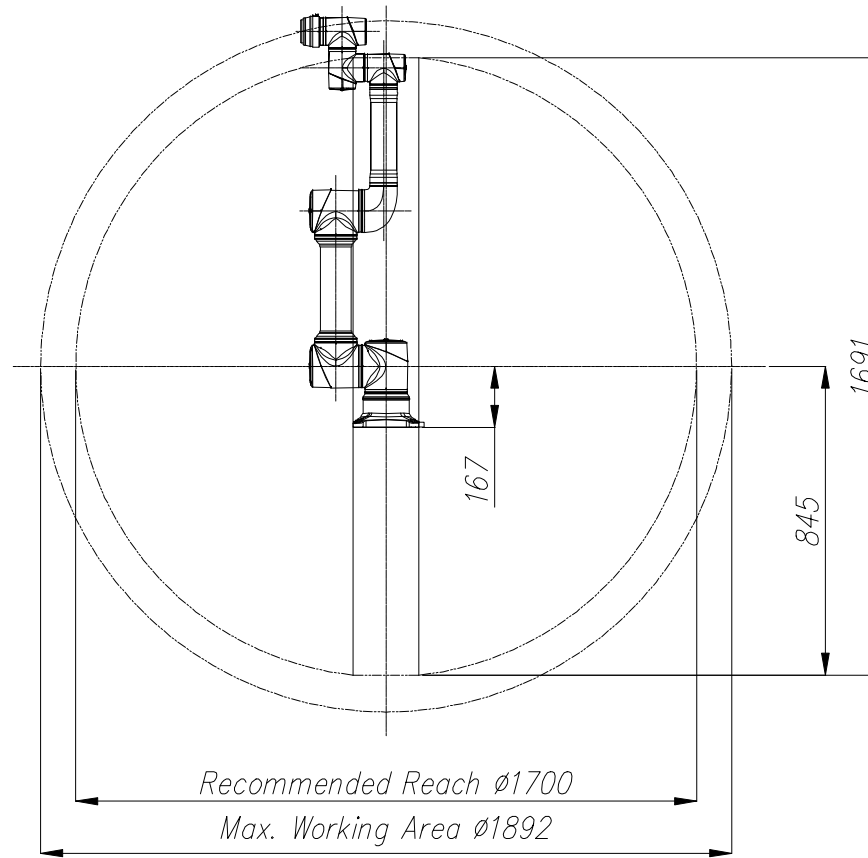


ITEM NO.	
A	

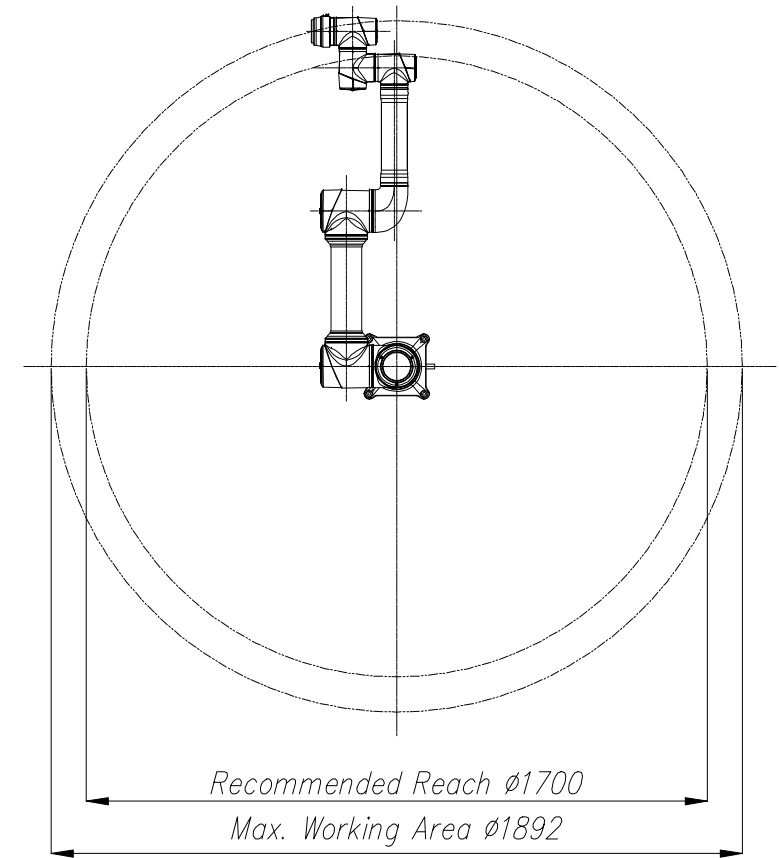
Symphony5 Layout



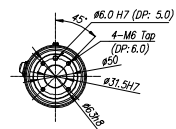
Symphony5 Working Area [Side View]



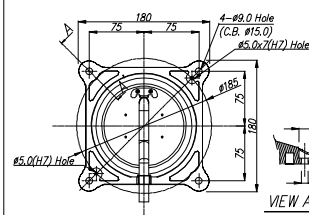
Symphony5 Working Area [Top View]



Tool Flange Dimension



Installation Dimension



C  
H  
A  
N  
G  
E

GRADE	DIMENSIONAL TOLERANCE							
	DIM	4 ±	5 12	13 36	37 110	111 330	331 1000	1000 ±
1	0.10	0.15	0.20	0.30	0.45	0.70	1.0	
2	0.15	0.20	0.30	0.45	0.70	1.0	1.5	
3	0.20	0.30	0.45	0.70	1.0	1.5	2.0	
4	0.30	0.45	0.70	1.0	1.5	2.0	3.0	
5	0.45	0.70	1.0	1.5	2.0	3.0	4.0	
ANGULAR								0

UNLESS OTHERWISE SPECIFIED

QUANTITY	NO.	PART NO.	DESCRIPTION	MATERIAL	COLOR/FINISH	REMARK
			SCALE: N/S	UNIT: mm	DRAWN BY: '23.05.31	
CHECKED BY:			DRAWING NO.		(PAGE: / )	
APPROVED BY:			MODEL: Symphony5	FILE:		
ISSUE REF.						

