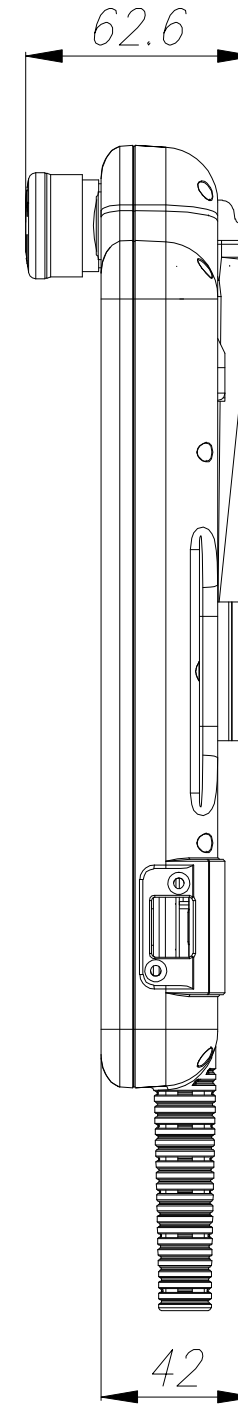
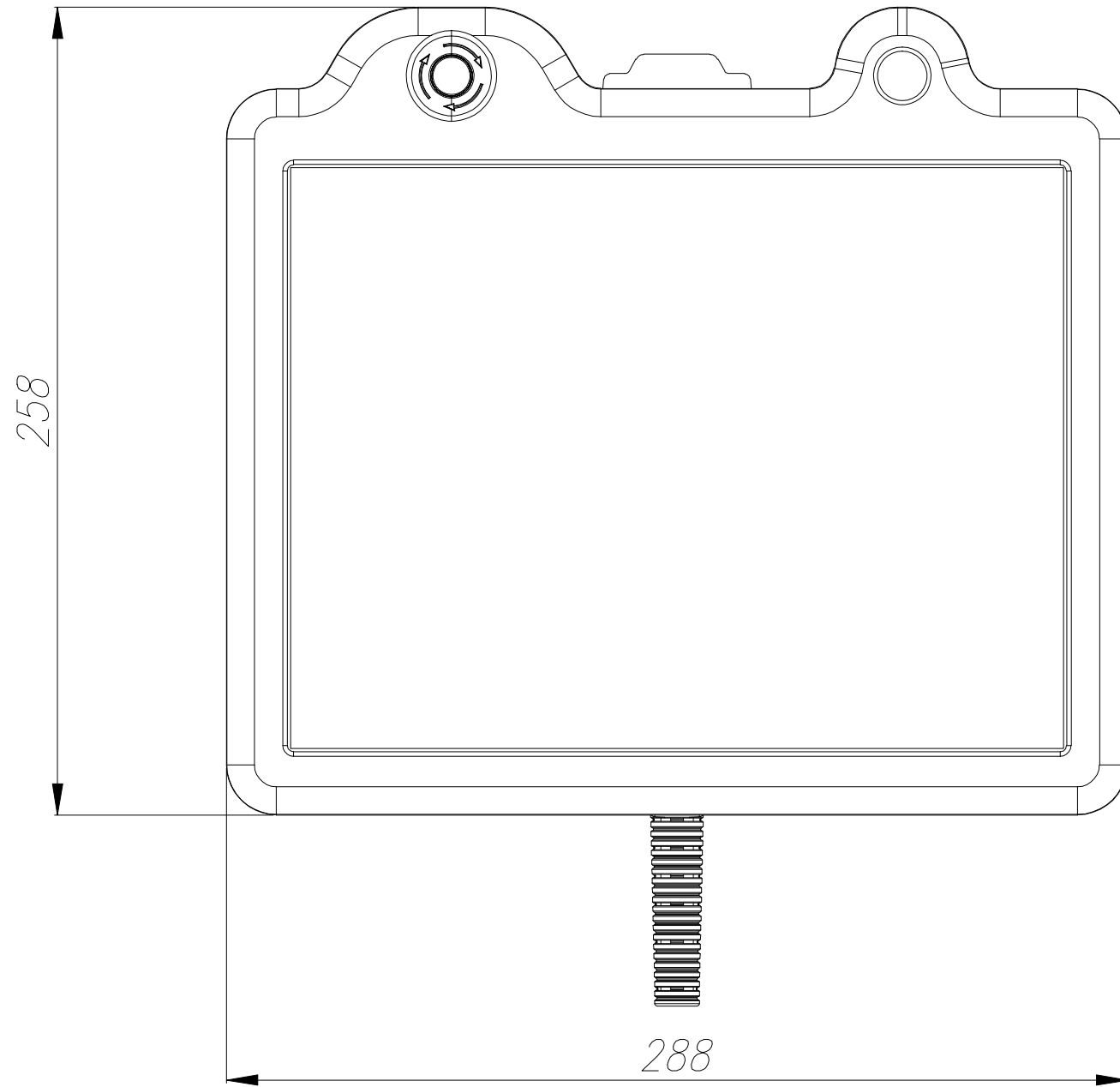
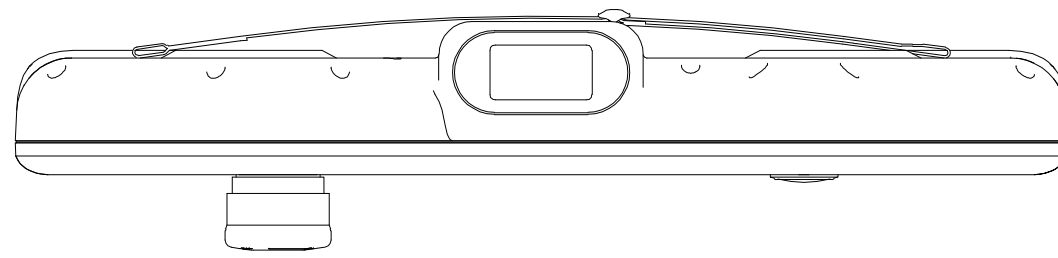


ITEM NO.	
A	



C
H
A
N
G
E

GRADE	DIM	DIMENSIONAL TOLERANCE					
		4	5	6	7	8	10
1	0.10	0.15	0.20	0.30	0.45	0.70	1.0
2	0.15	0.20	0.30	0.45	0.70	1.0	1.5
3	0.20	0.30	0.45	0.70	1.0	1.5	2.0
4	0.30	0.45	0.70	1.0	1.5	2.0	3.0
5	0.45	0.70	1.0	1.5	2.0	3.0	4.0
ANGULAR		UNLESS OTHERWISE SPECIFIED					

QUANTITY		NO.		PART NO.		DESCRIPTION		MATERIAL		COLOR/FINISH		REMARK
SCALE		UNIT		DRAWN BY: '22.05.17		DESCRIPTION		MODEL		FILE		REMARK
1/1		mm		H.J.Kim		Teach Pendant		Symphony				(PAGE: /)
CHECKED BY:		APPROVED BY:		DRAWING NO.		ISSUE		REF.				

